



NewsNotes™ SILHOUETTES

Shape your front page advertising message

3.125" x 3.125"

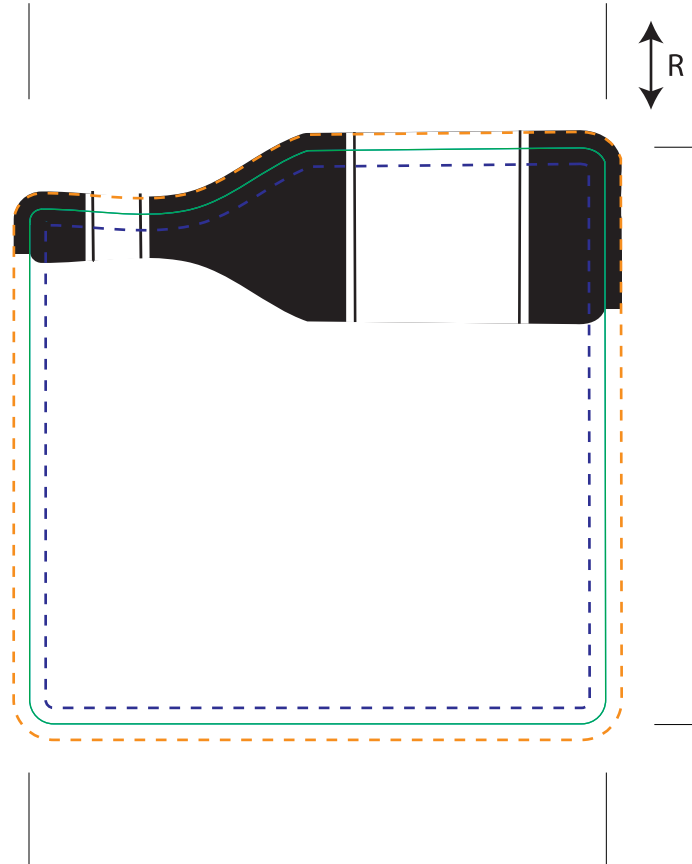
orange line represents bleeding art area
(all artwork needs to come out to this line
if image or color goes to the edge of
the dieline.)

3" x 3" with .125" corner radius
green line represents die
(or final trim size)

2.875" x 2.875"

blue line represents non-bleeding art area
(this indicates safety area.
No text or images that are not part of the
bleed should extend past this line.)

reference lines do not print,
and should not be included in supplied artwork



Email art files to jon@scrantonlabel.com and bobs@scrantonlabel.com.

Scranton Label accepts artwork in most file formats, but uses Adobe Illustrator for most production.

To expedite the process please follow these guidelines:

- Convert files to EPS or PDF format. *Make sure artwork is centered on page.*
- Outline all type if program permits.
If supplying artwork that is not a PDF and cannot be outlined please supply font.
- If rasterized Images are not embedded Please make sure they are supplied.
- If document has raster Images, make sure all spot colors are converted to CMYK.
Please limit document to four (4) colors. *This does not include two (2) Sided NewsNotes.*
Back print should only be one (1) color with a 50% coverage of the whole area.
- If document has raster images they should be a minimum of 300dpi.
(If you supply a low res image we will print it. but know that what you supply is what we will print)

Scranton Label, Inc.

1949 NEWTON RANSOM BLVD, CLARKS SUMMIT, PA 18411